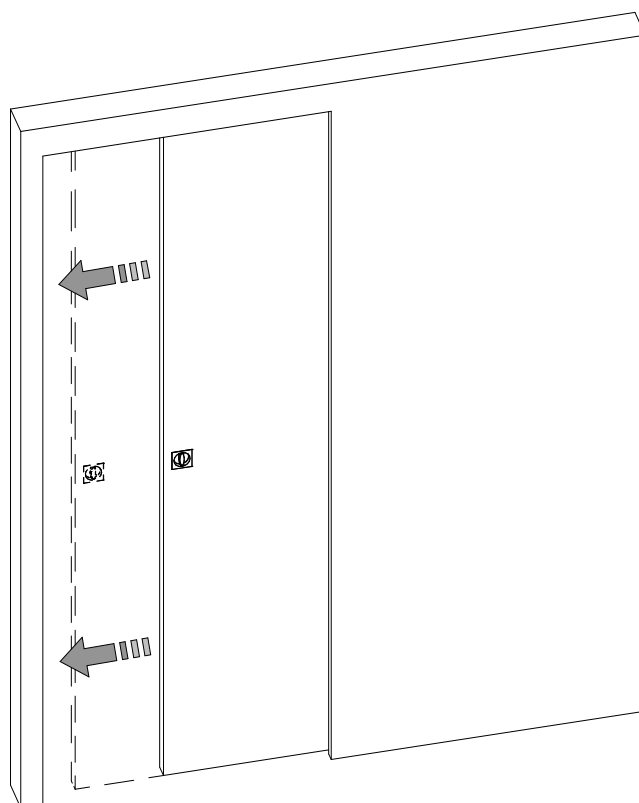


Ermetika[®]
INSIDE WALLS

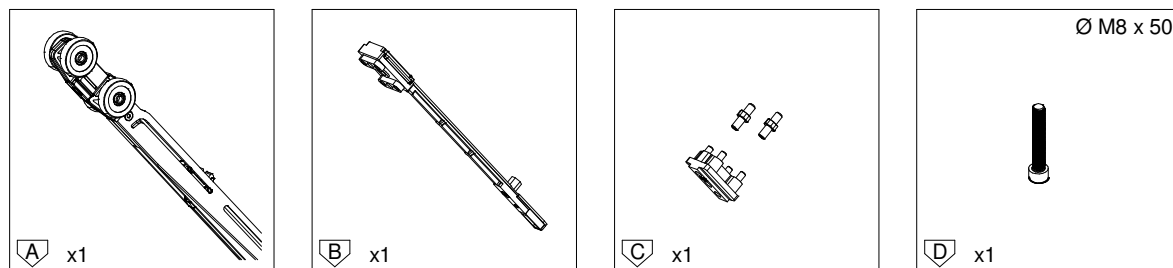


**ISTRUZIONE MONTAGGIO - SETUP INSTRUCTION
INSTRUCTION MONTAGE- INSTRUCCIONES DE MONTAJE**

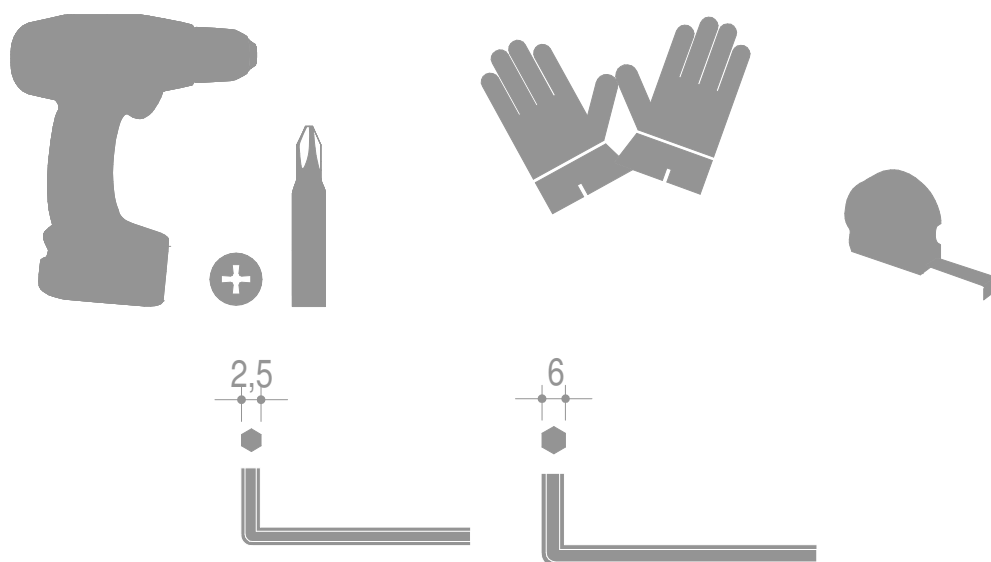
Easystop AB

CONTENUTO KIT | CONTENTS

Dotazione - Standard equipment - Equipement standard - Equipo standard

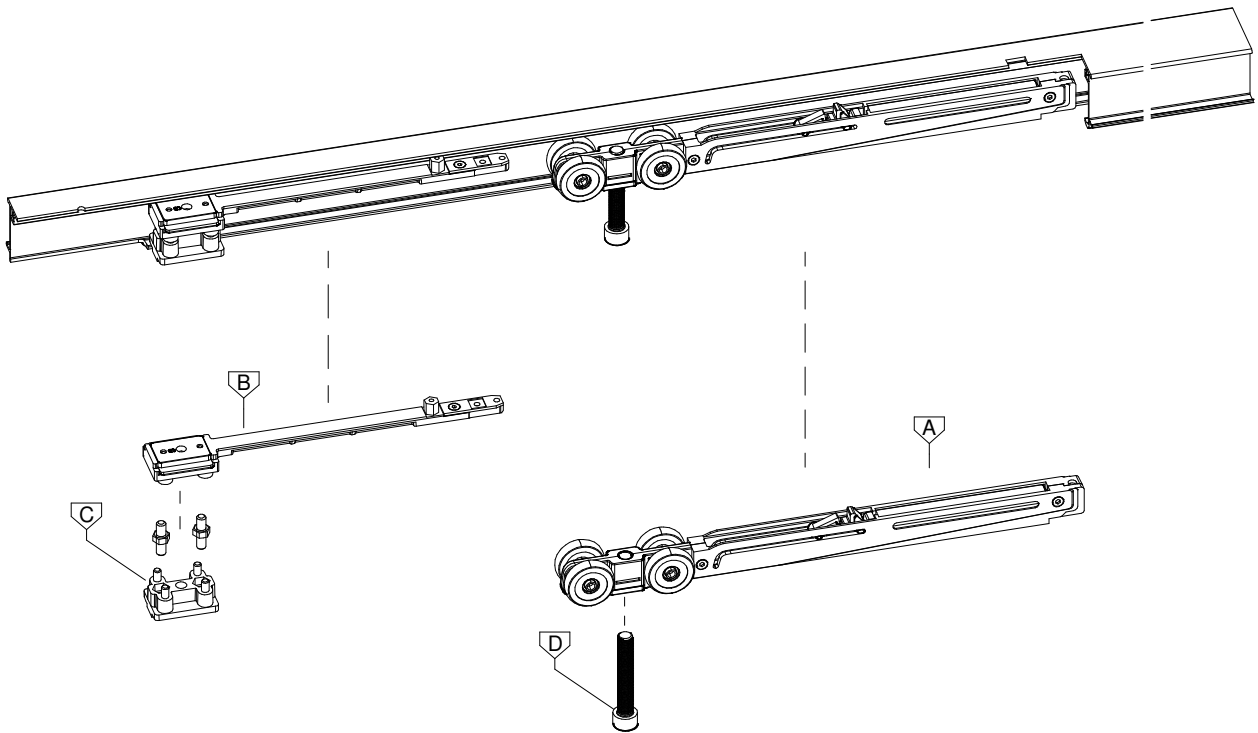


Attrezzatura - Tools - Outils - Herrajes



CONTENUTO KIT | CONTENTS

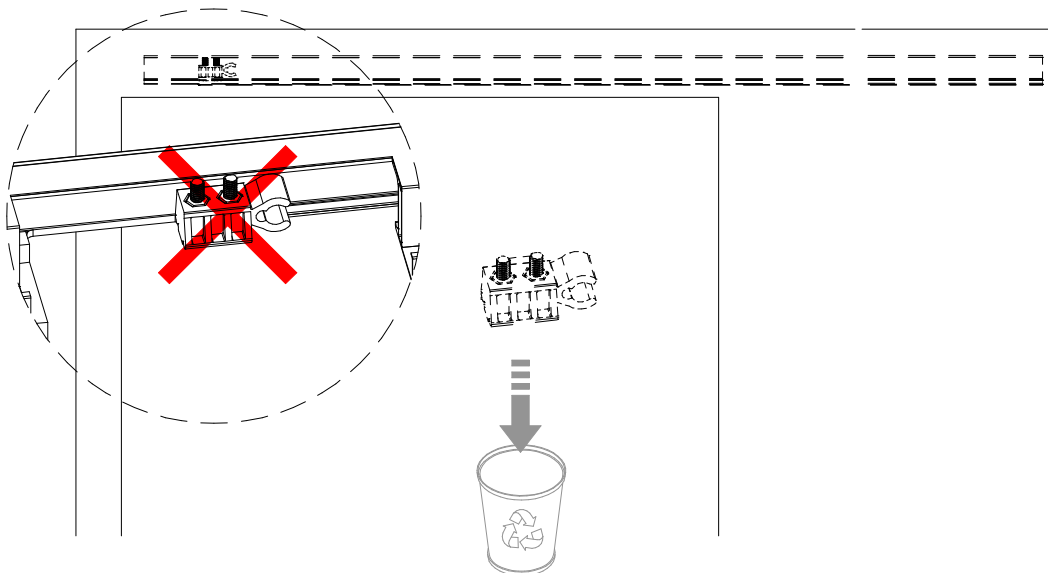
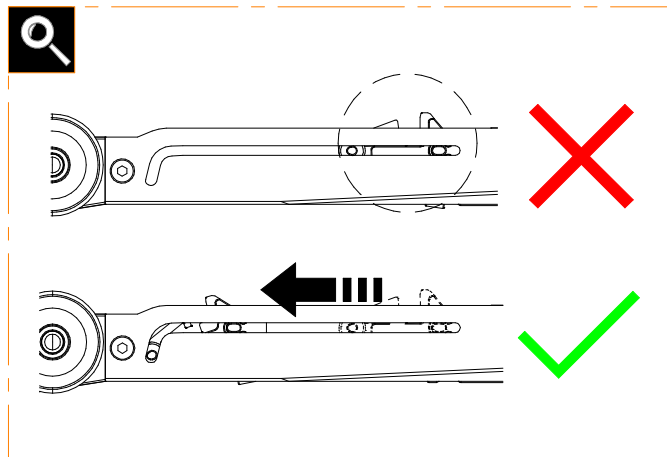
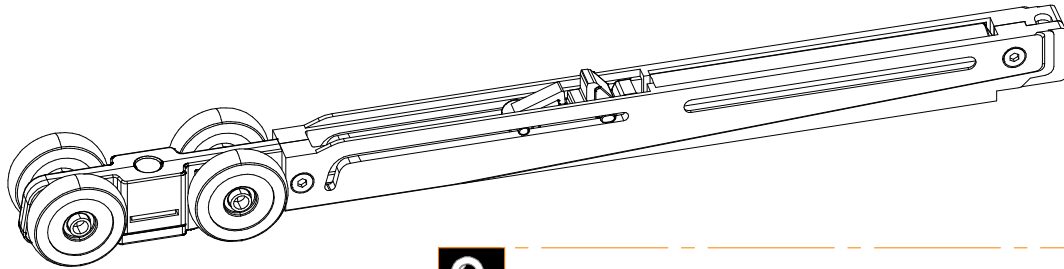
Panoramica - Overall view - Vue d' ensemble - General



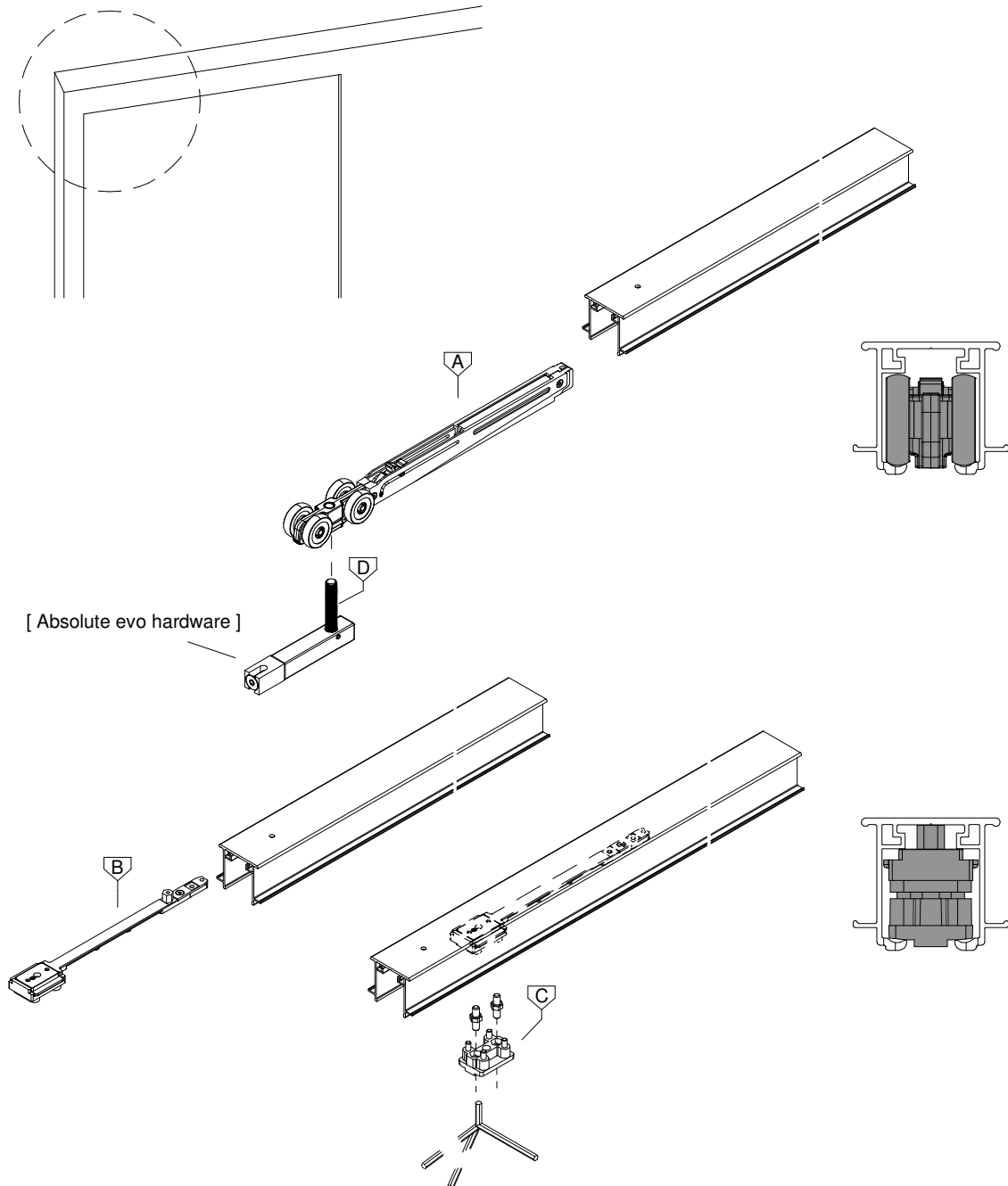
INDICE - INDEX

Installazione dispositivo - setup device	3-4
Montaggio anta singola - setup single door	5
Montaggio anta doppia - setup double door	6

1.1

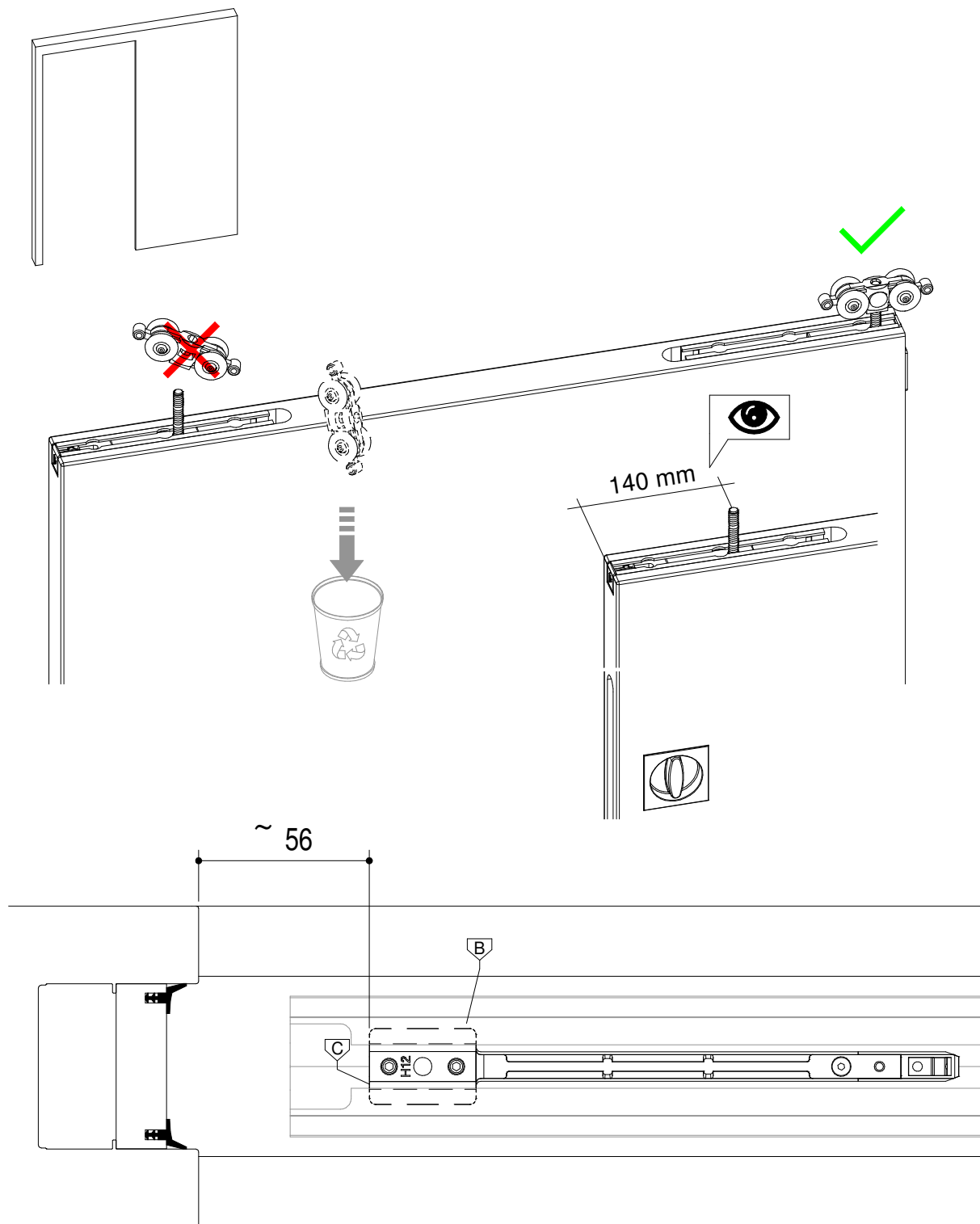


1.2

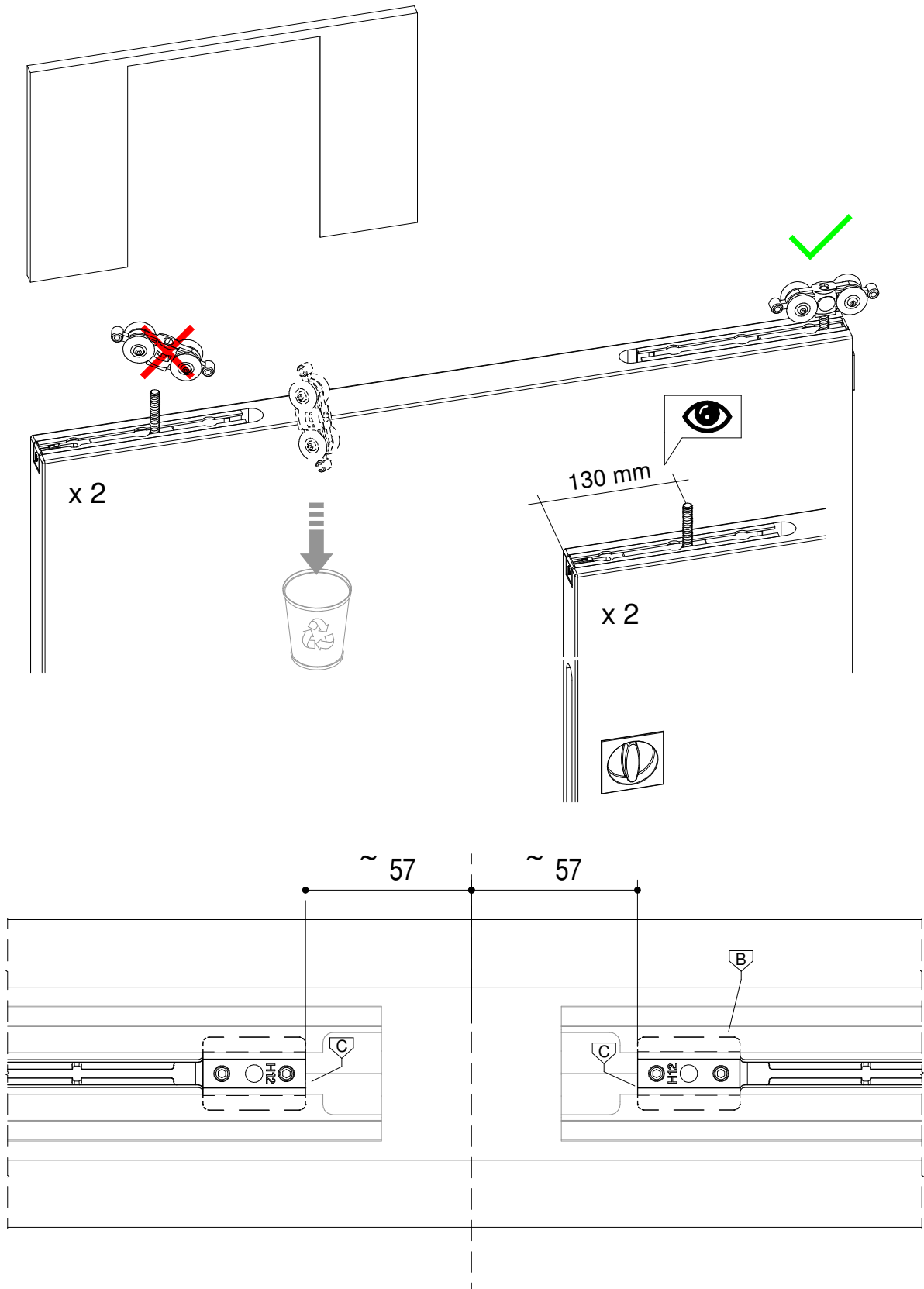


Subject to misprints, errors and technical modifications.
All dimensions are in mm

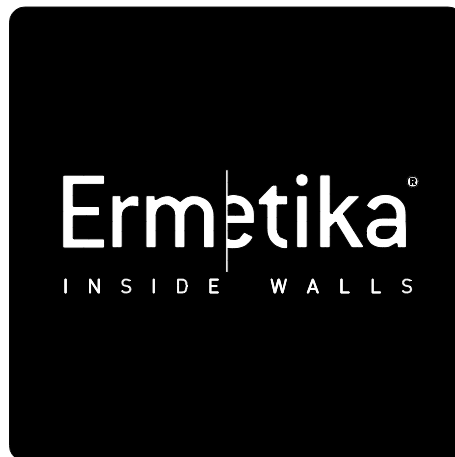
1.3



1.4



Subject to misprints, errors and technical modifications.
All dimensions are in mm



T. +39 (0)883535781



info@ermetika.it



www.ermetika.it



www.youtube/ermetika.it