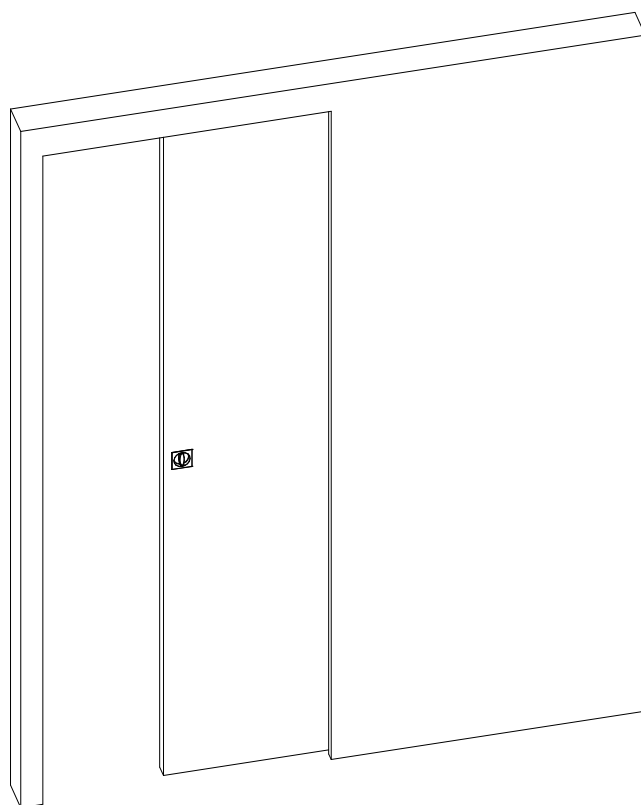


**Ermetika**<sup>®</sup>  
I N S I D E W A L L S



**ISTRUZIONE MONTAGGIO ANTA -  
DOOR INSTALLATION INSTRUCTION**

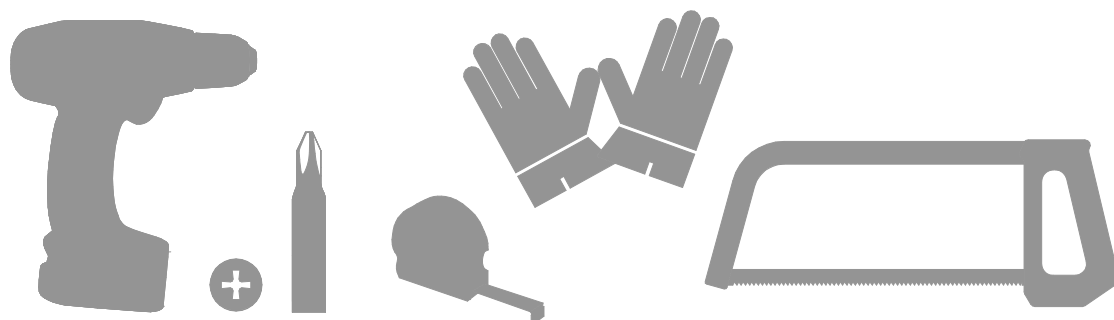
**INSTRUCTION MONTAGE DE LA PORTE -  
INSTRUCCIONES DE MONTAJE HOJA**

# CONTENUTO KIT | CONTENTS

Dotazione - Standard equipment - Equipement standard - Equipo standard



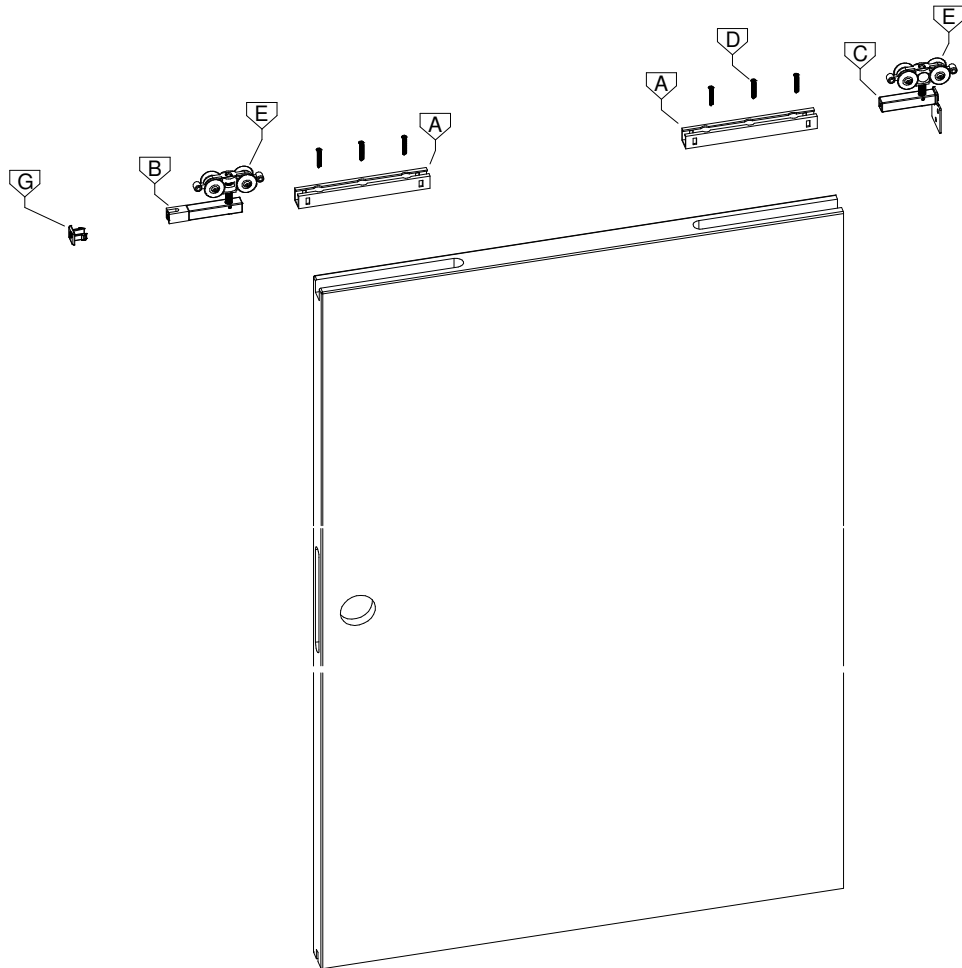
Attrezzatura - Tools - Outils - Herrajes



# CONTENUTO KIT | CONTENTS

Panoramica - Overall view - Vue d'ensemble - General

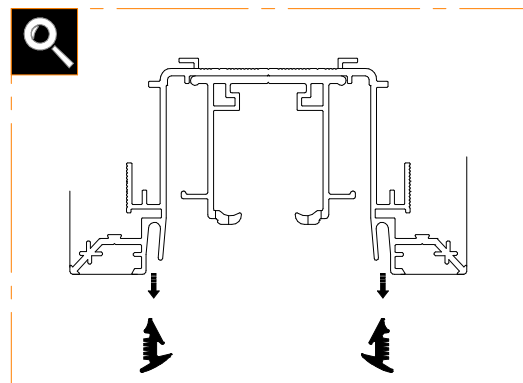
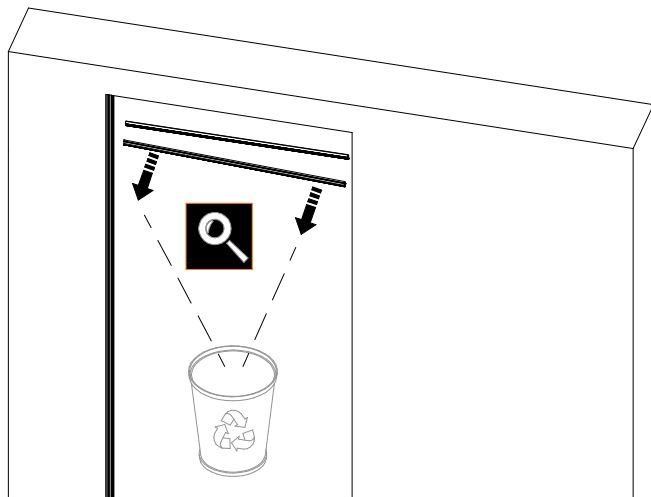
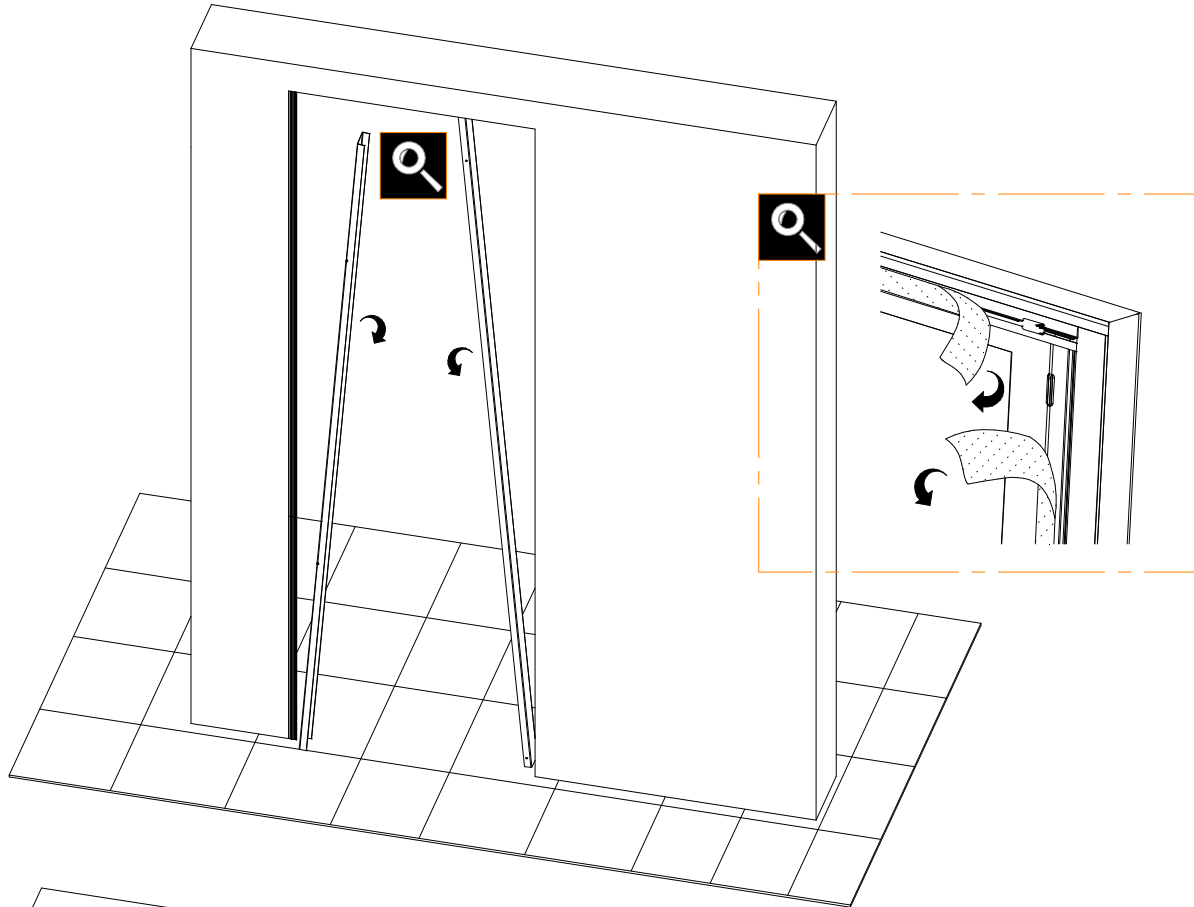
---



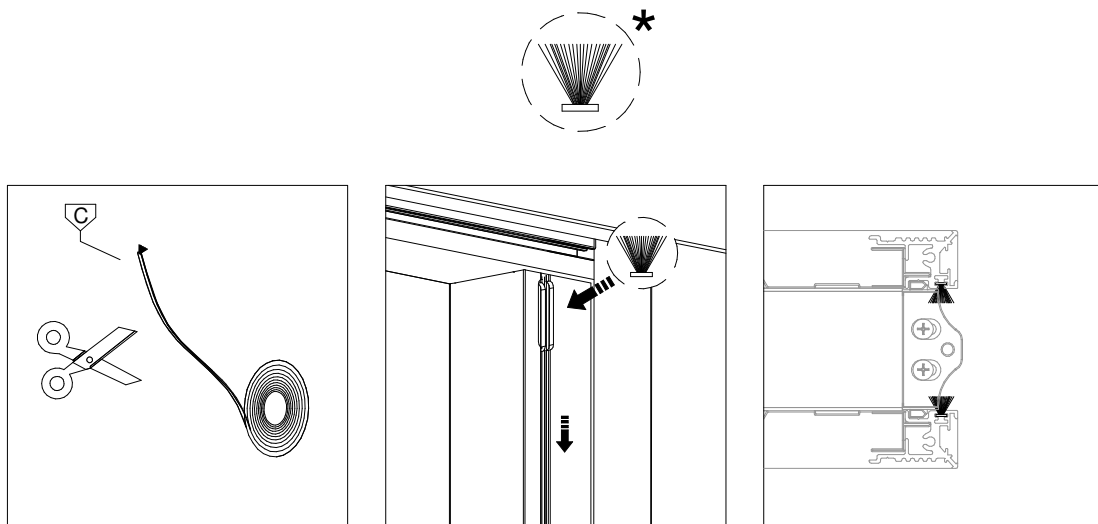
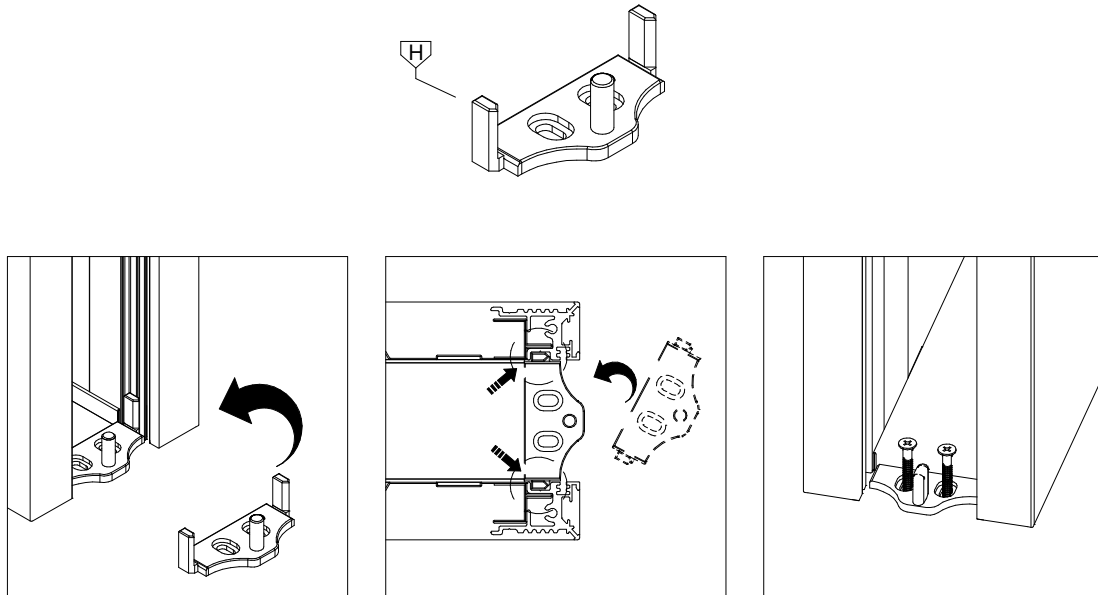
---

Subject to misprints, errors and technical modifications.  
All dimensions are in mm

1.1

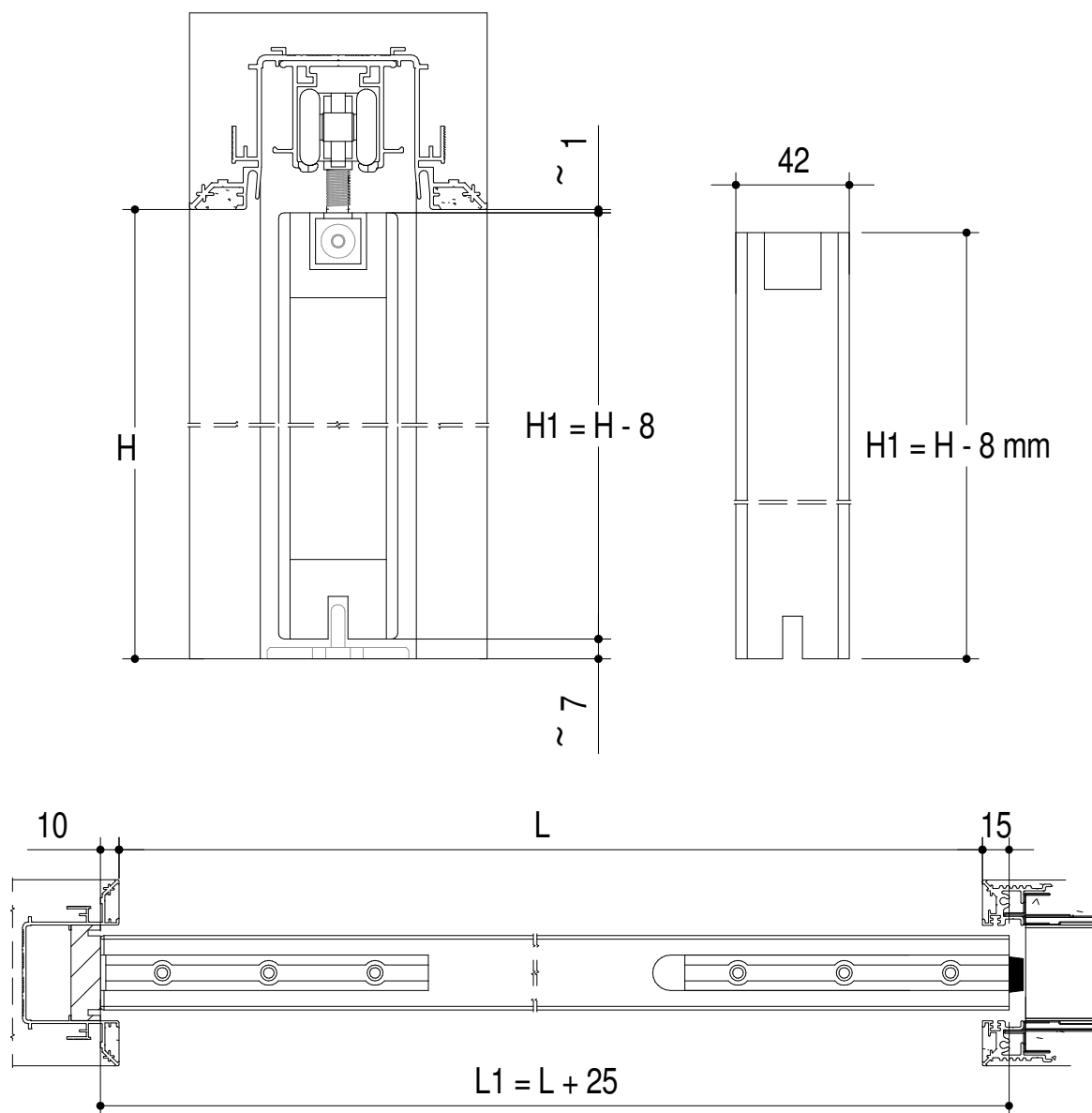


1.2



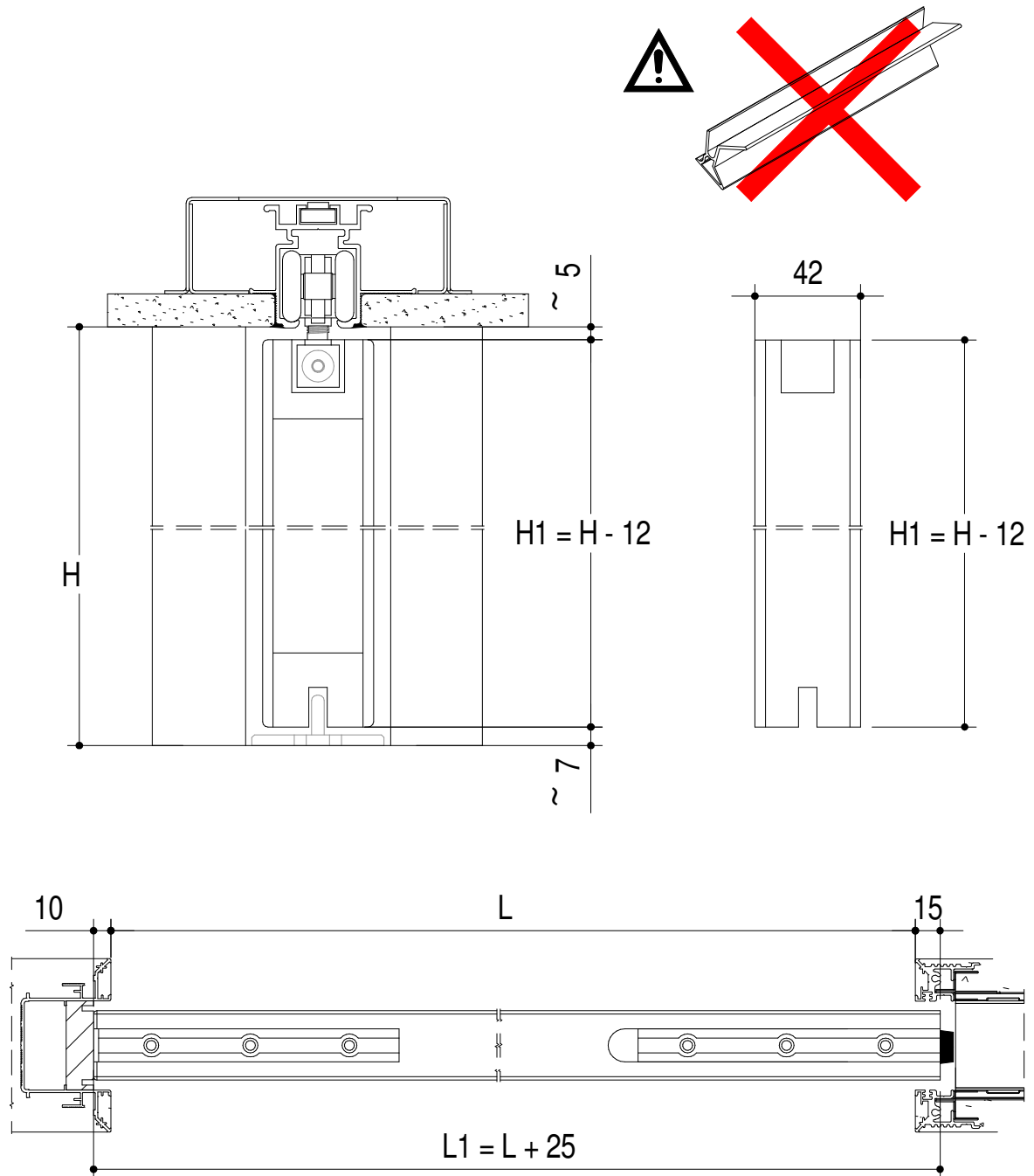
2.1

MOD. ABSOLUTE EVO

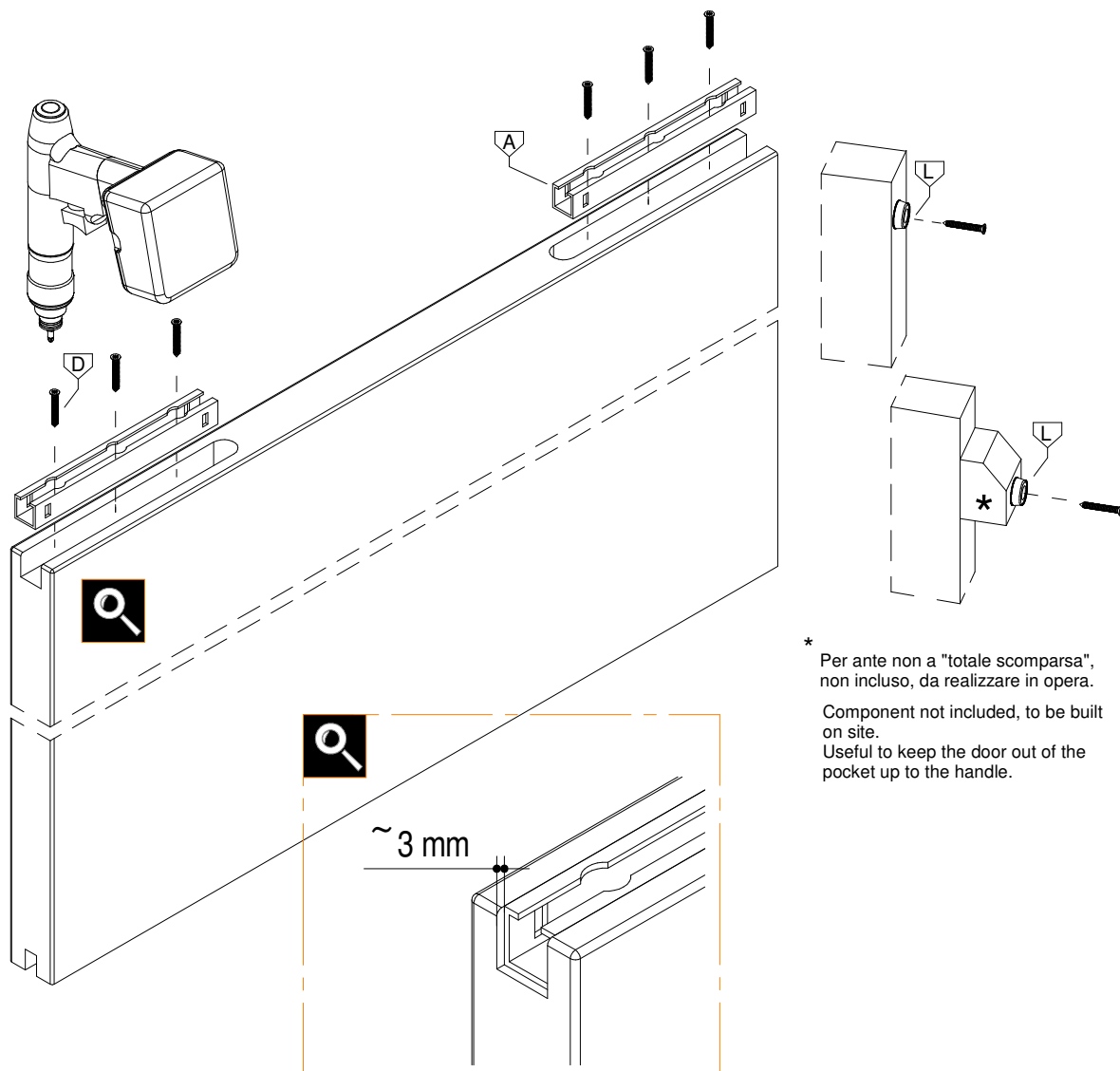


2.2

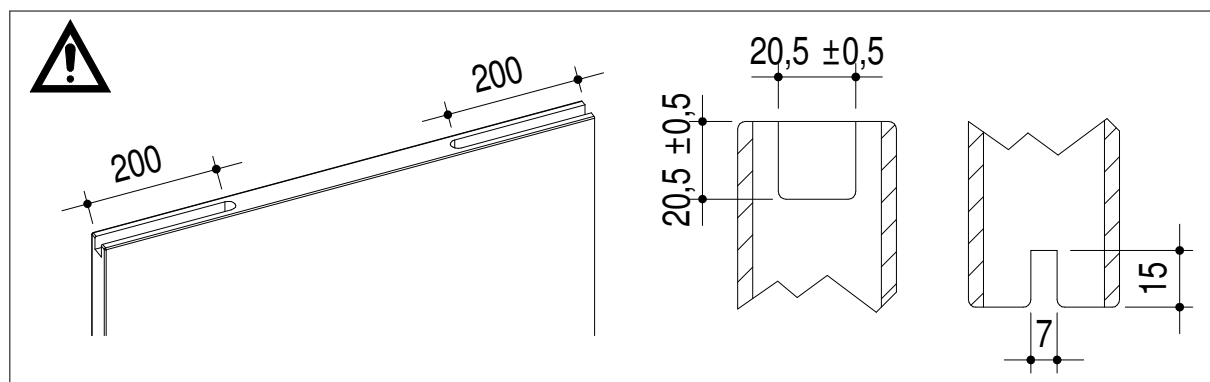
MOD. ABSOLUTE EVO "TUTTALTEZZA" ( TH )



2.3



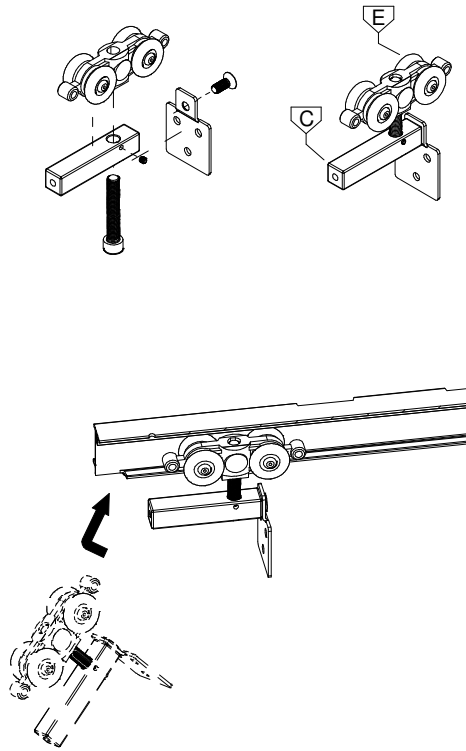
\* Per ante non a "totale scomparsa", non incluso, da realizzare in opera.  
Component not included, to be built on site.  
Useful to keep the door out of the pocket up to the handle.



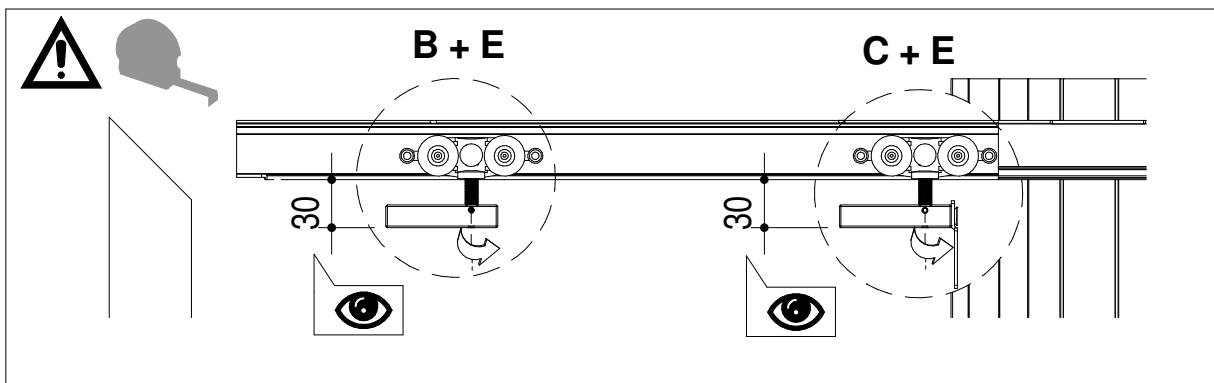
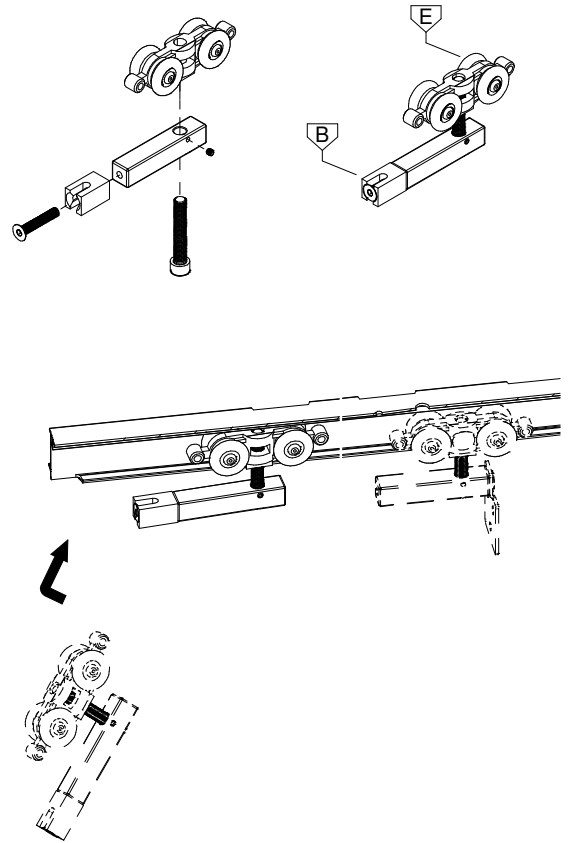


3.1

C + E

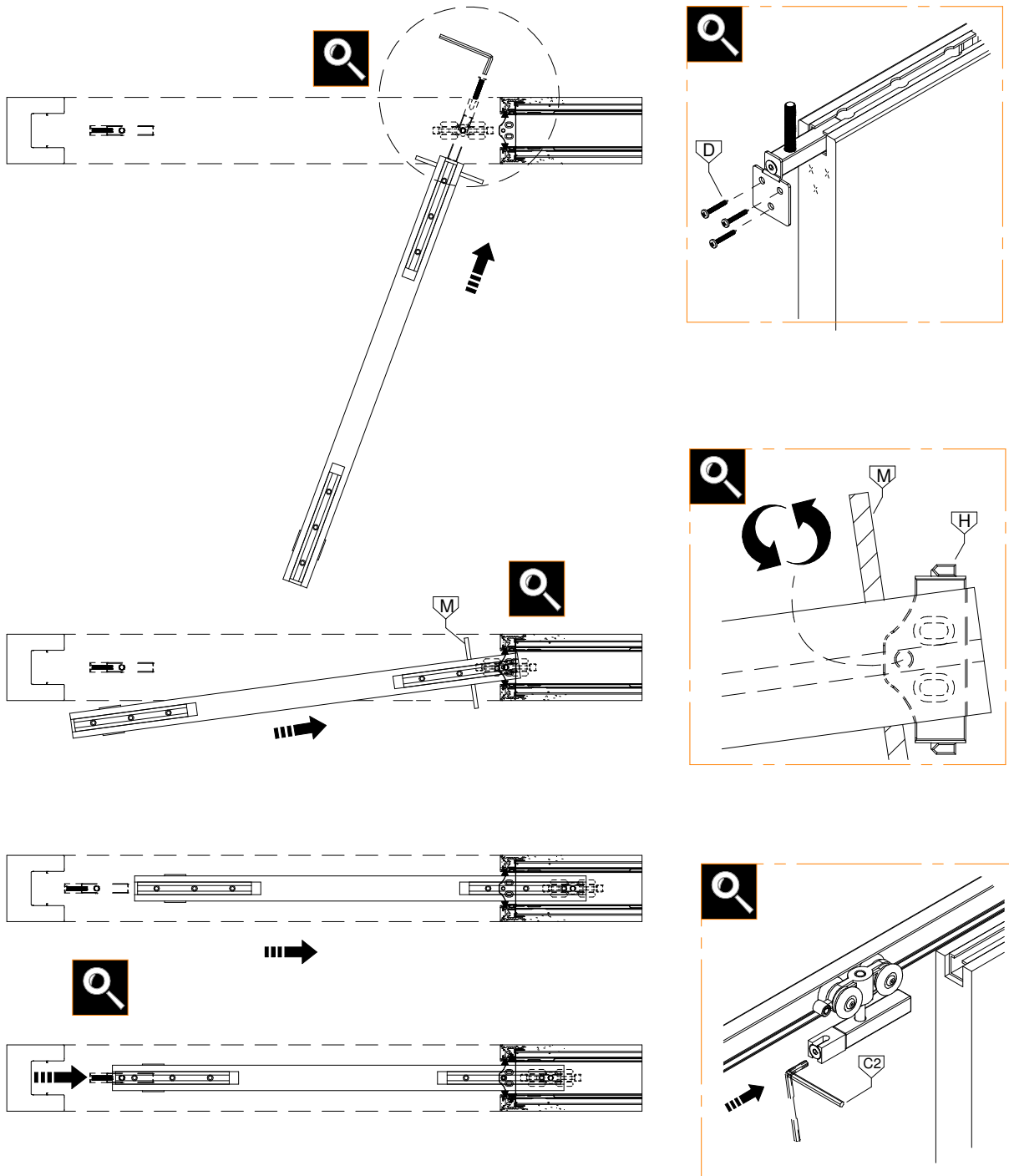


B + E

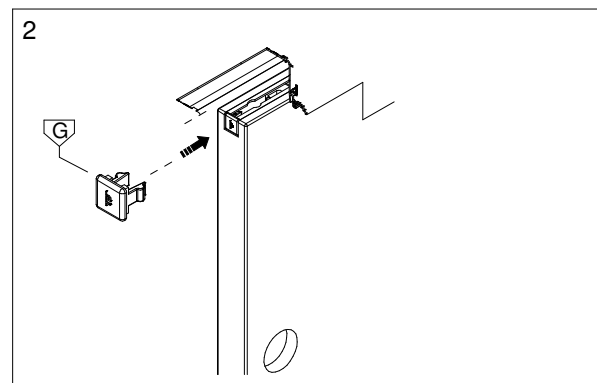
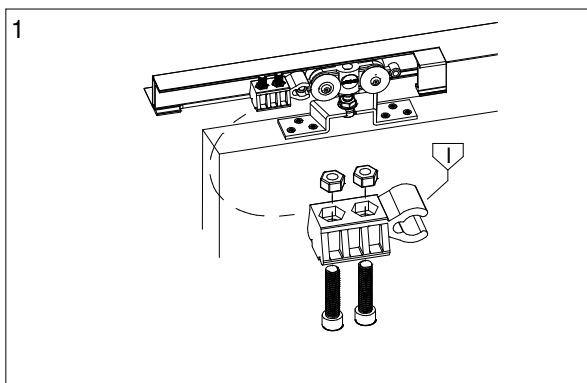
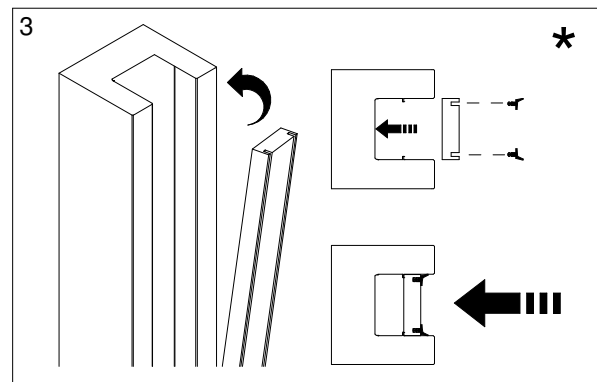
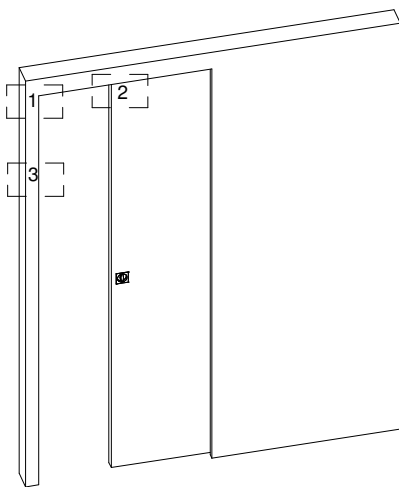
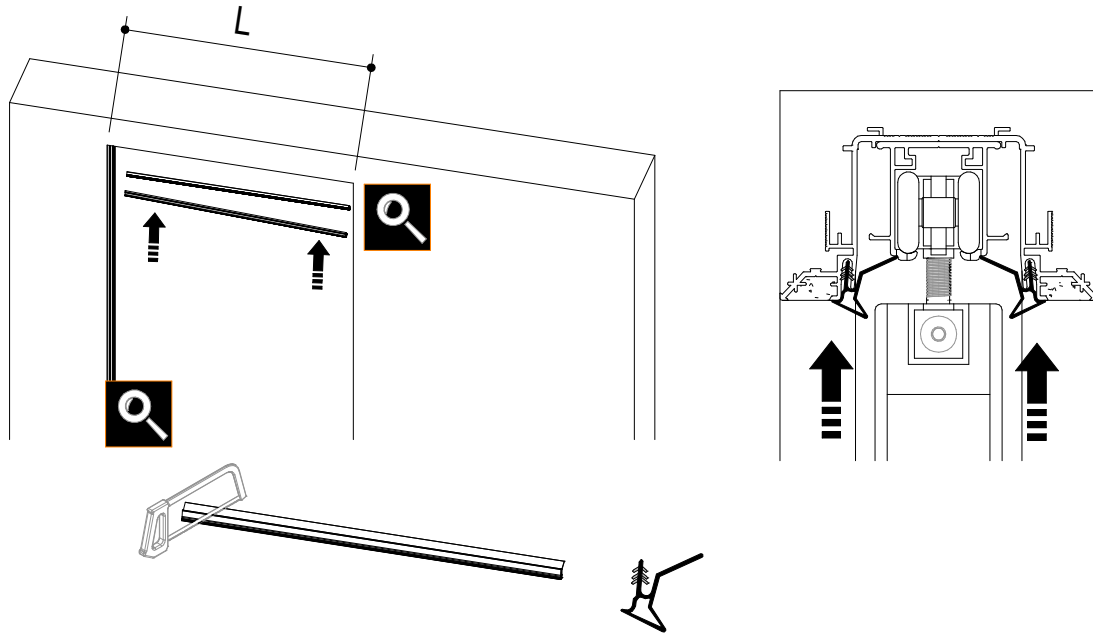


Subject to misprints, errors and technical modifications.  
All dimensione are in mm

3.2



3.3



Subject to misprints, errors and technical modifications.  
All dimensione are in mm

WATCH OUR  
**You Tube**  
VIDEOS HERE



T. +39 (0)883535781



info@ermetika.it



www.ermetika.it



<https://www.youtube.com/c/ermetikasrl>