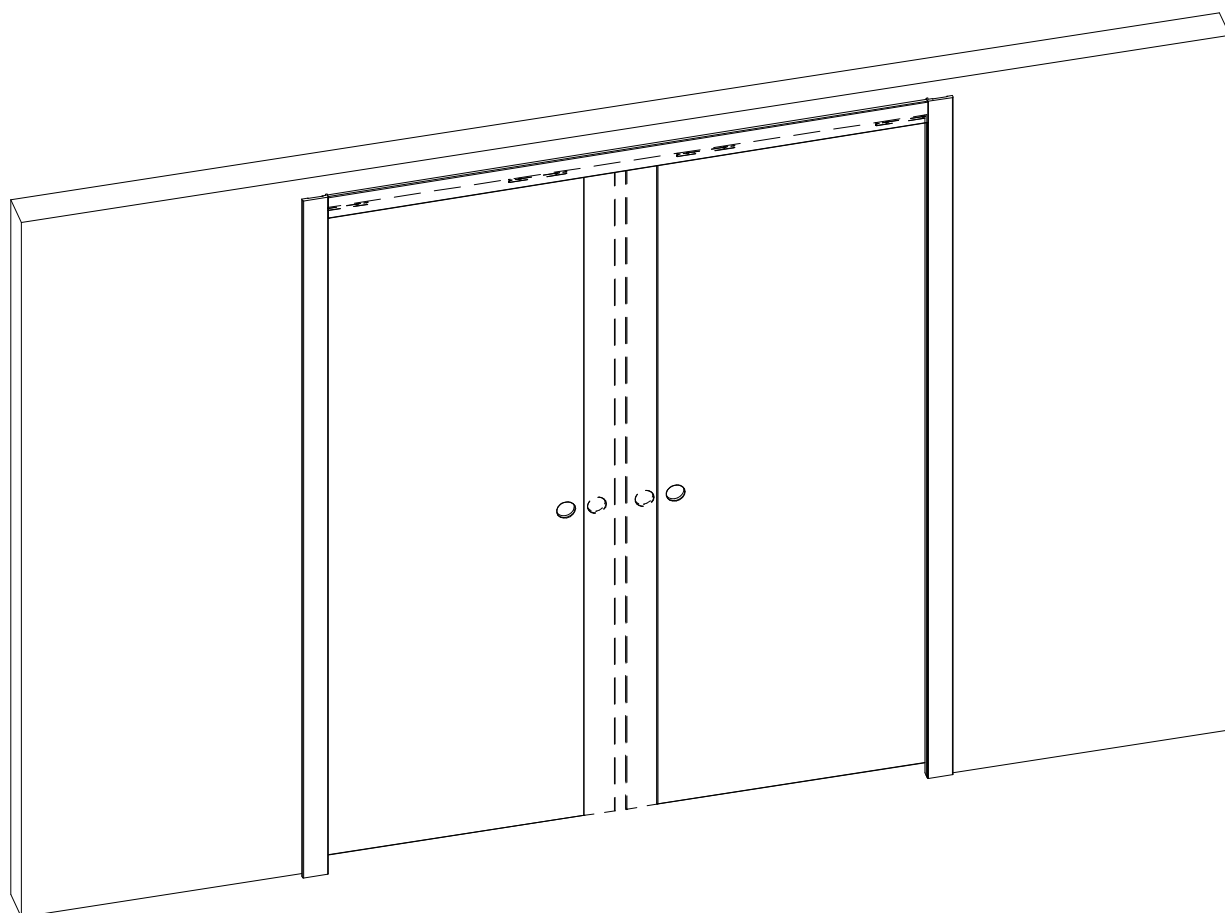


Ermetika[®]
INSIDE WALLS

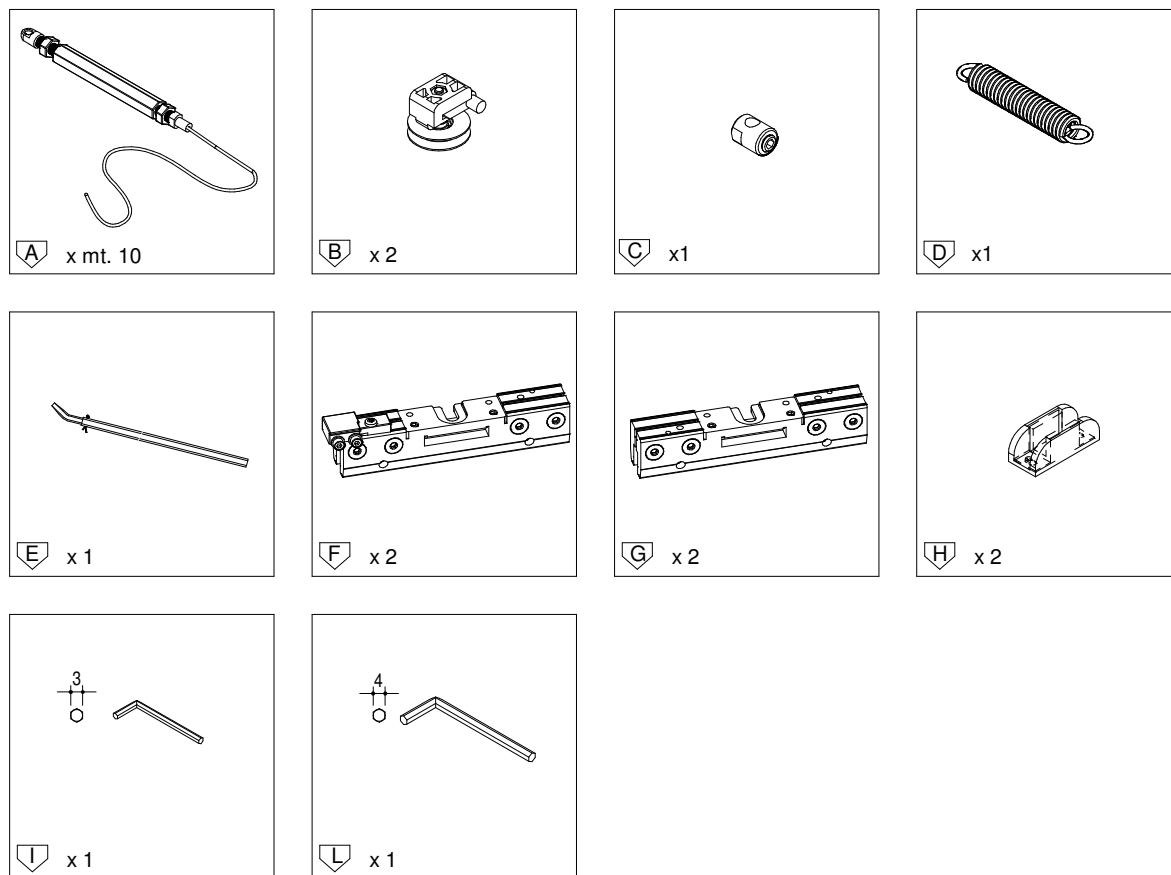


**ISTRUZIONE MONTAGGIO - SETUP INSTRUCTION
INSTRUCTION MONTAGE- INSTRUCCIONES DE MONTAJE**

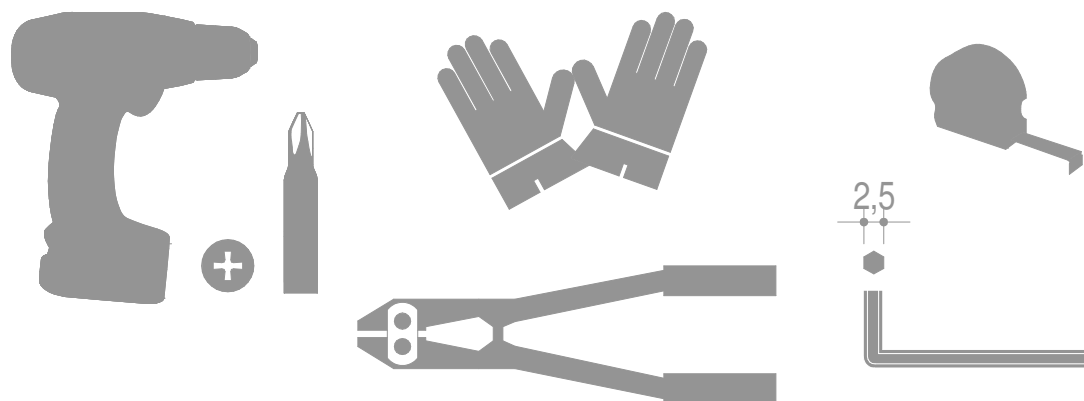
Apertura simultanea per anta doppia
in vetro

CONTENUTO KIT | CONTENTS

Dotazione - Standard equipment - Equipement standard - Equipo standard

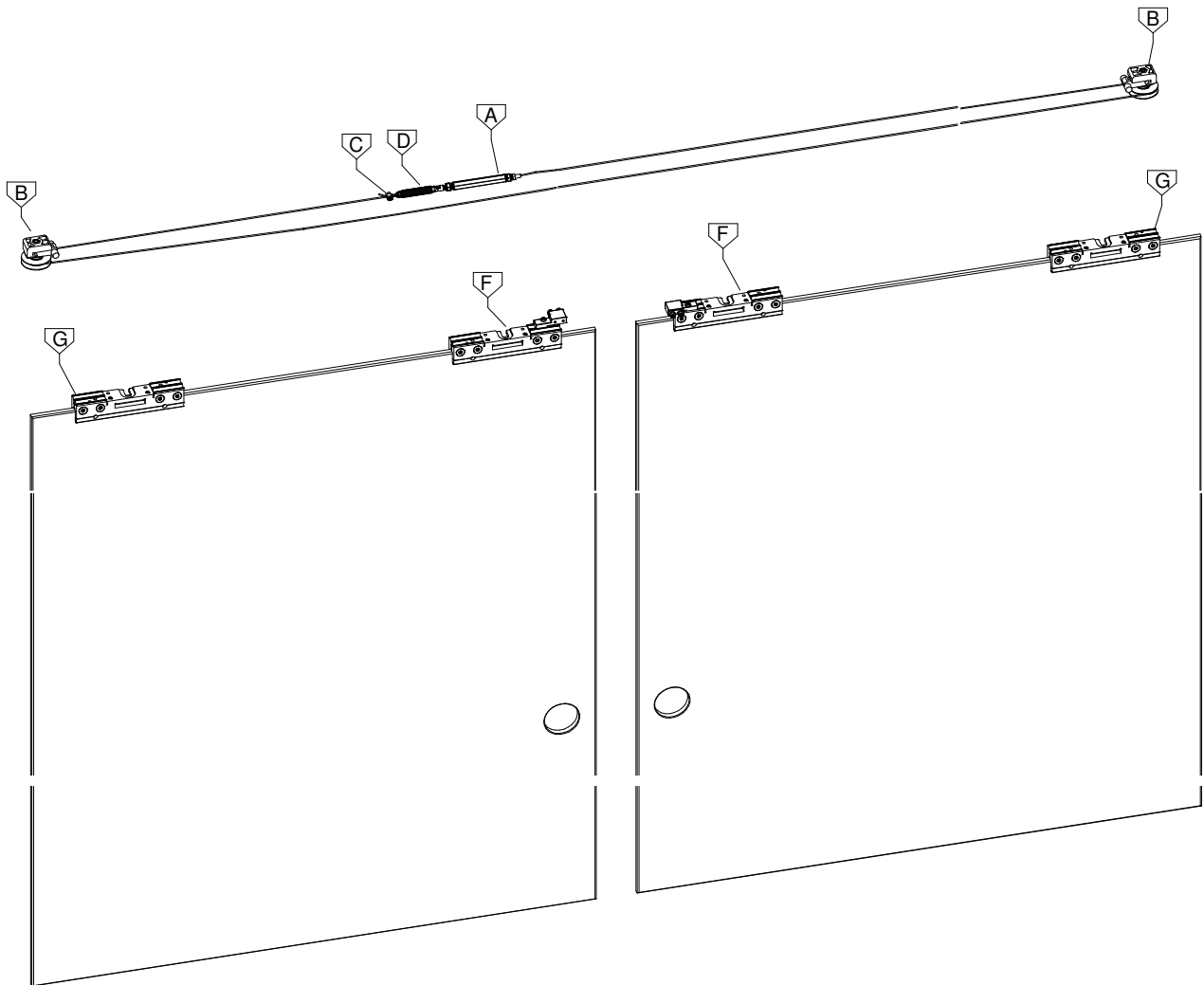


Attrezzatura - Tools - Outils - Herrajes



CONTENUTO KIT | CONTENTS

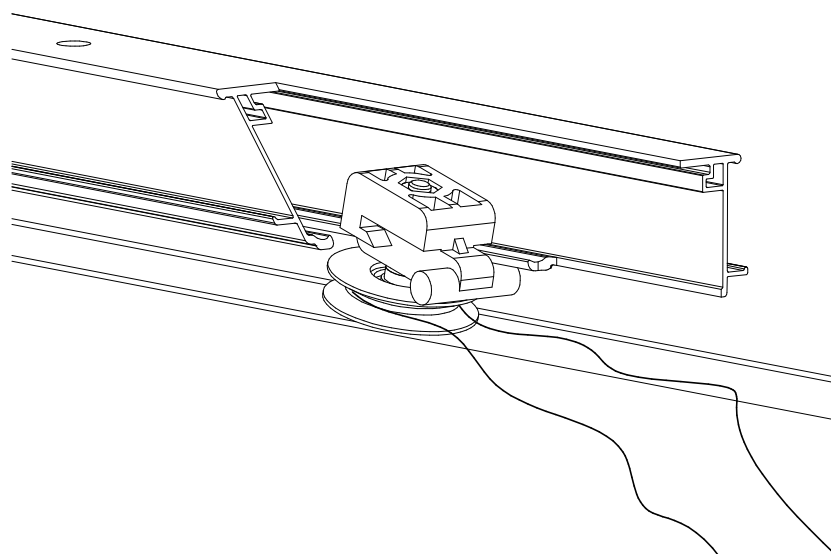
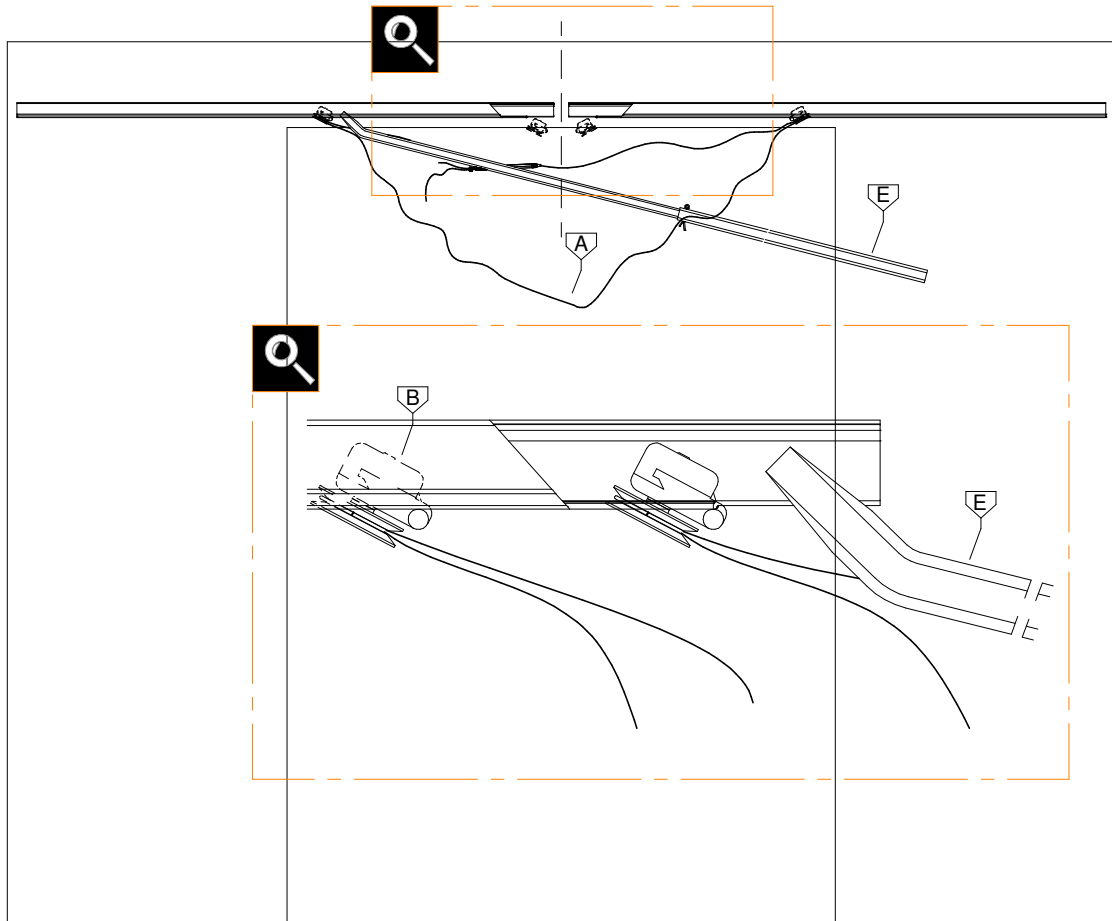
Panoramica - Overall view - Vue d'ensemble - General



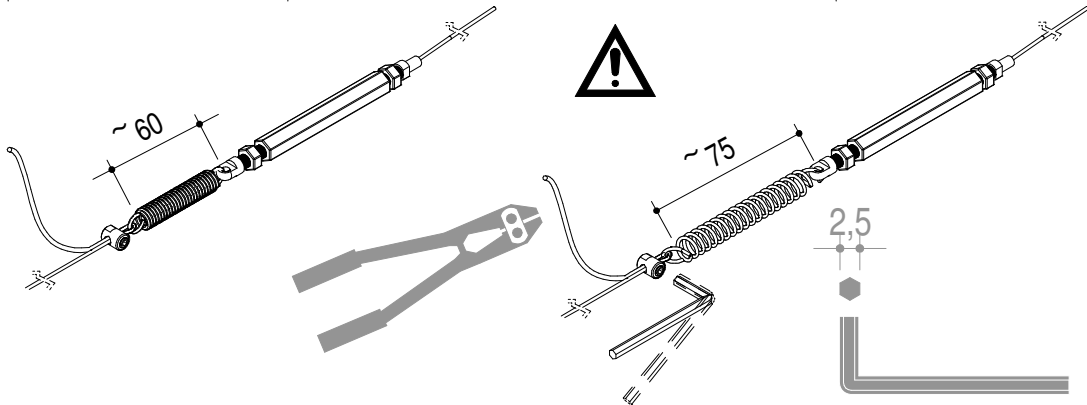
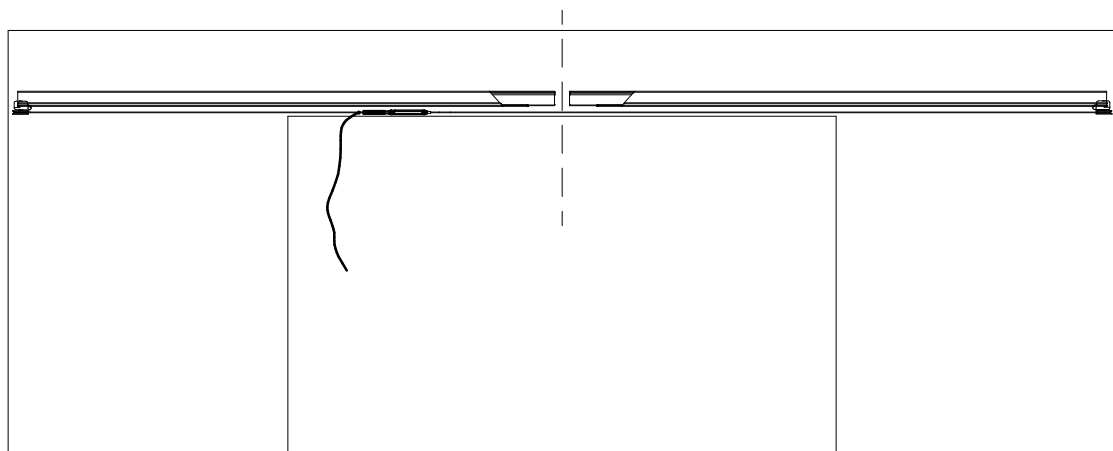
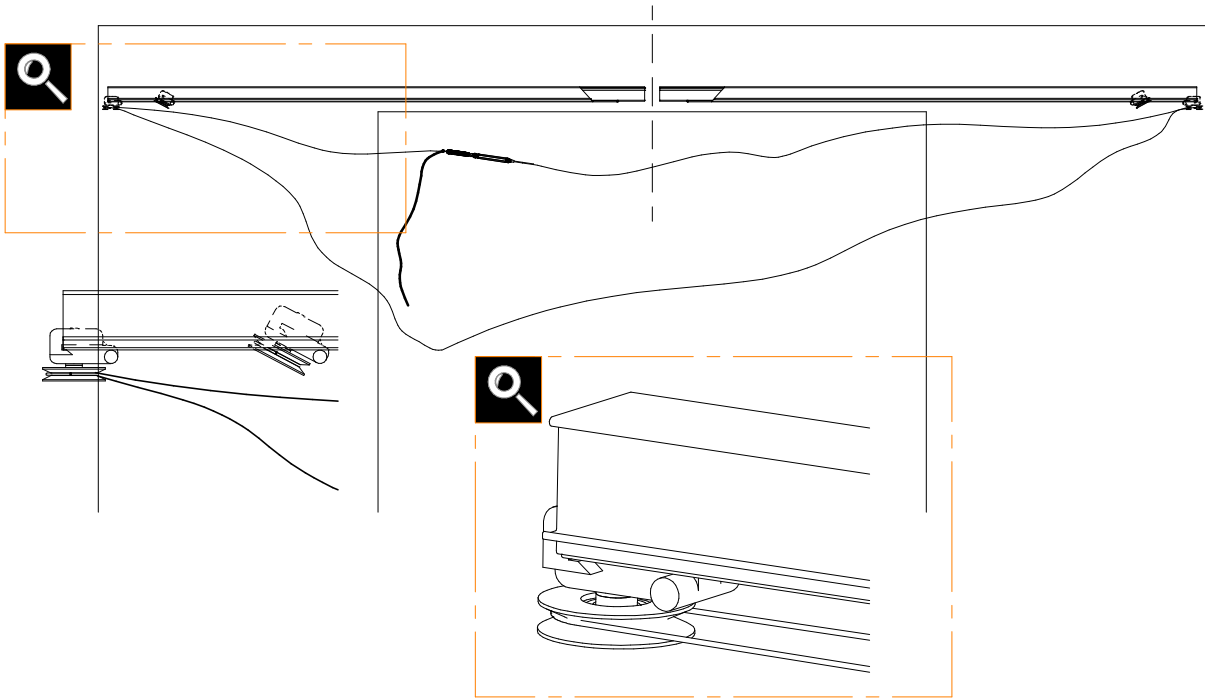
INDICE - INDEX

Installazione cavo - Cable installation	3-4
Installazione pinze anta vetro - Setup	5-6
Installazione ante vetro - Setup glass door	7-8

1.1

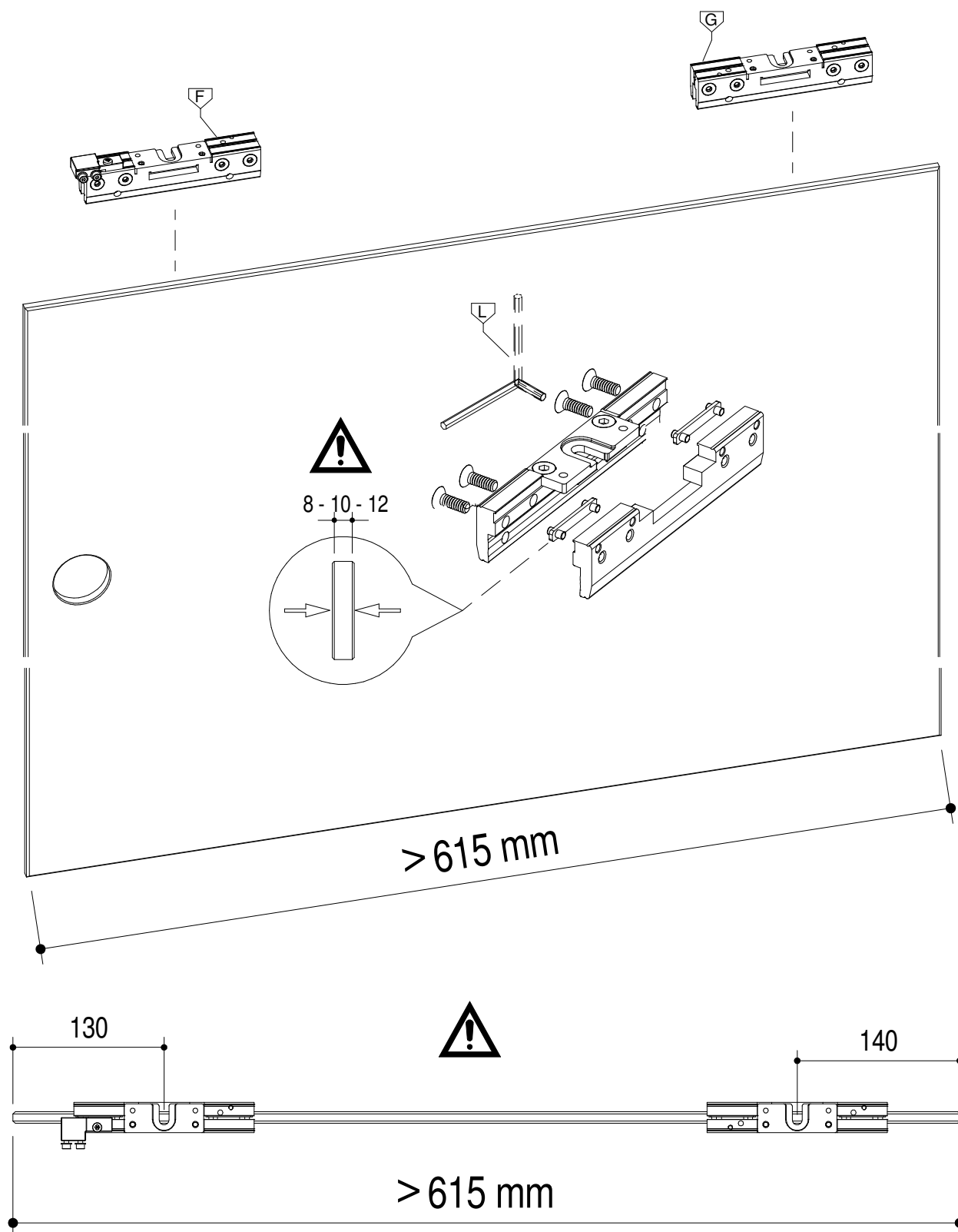


1.2

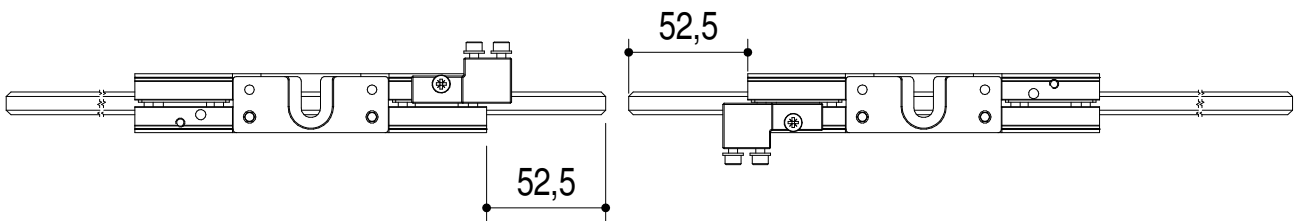
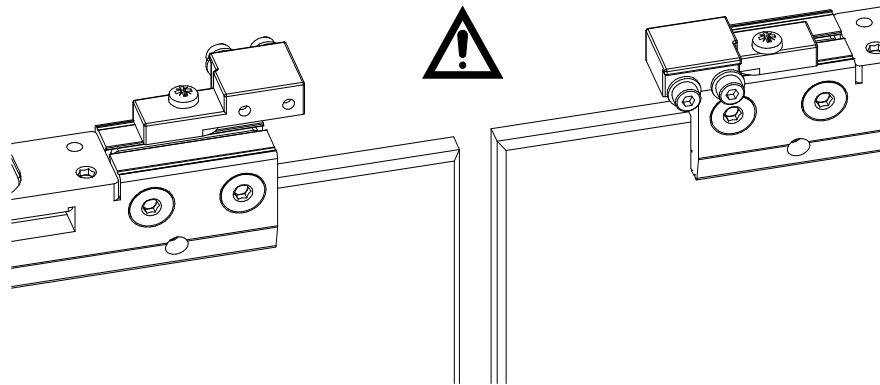
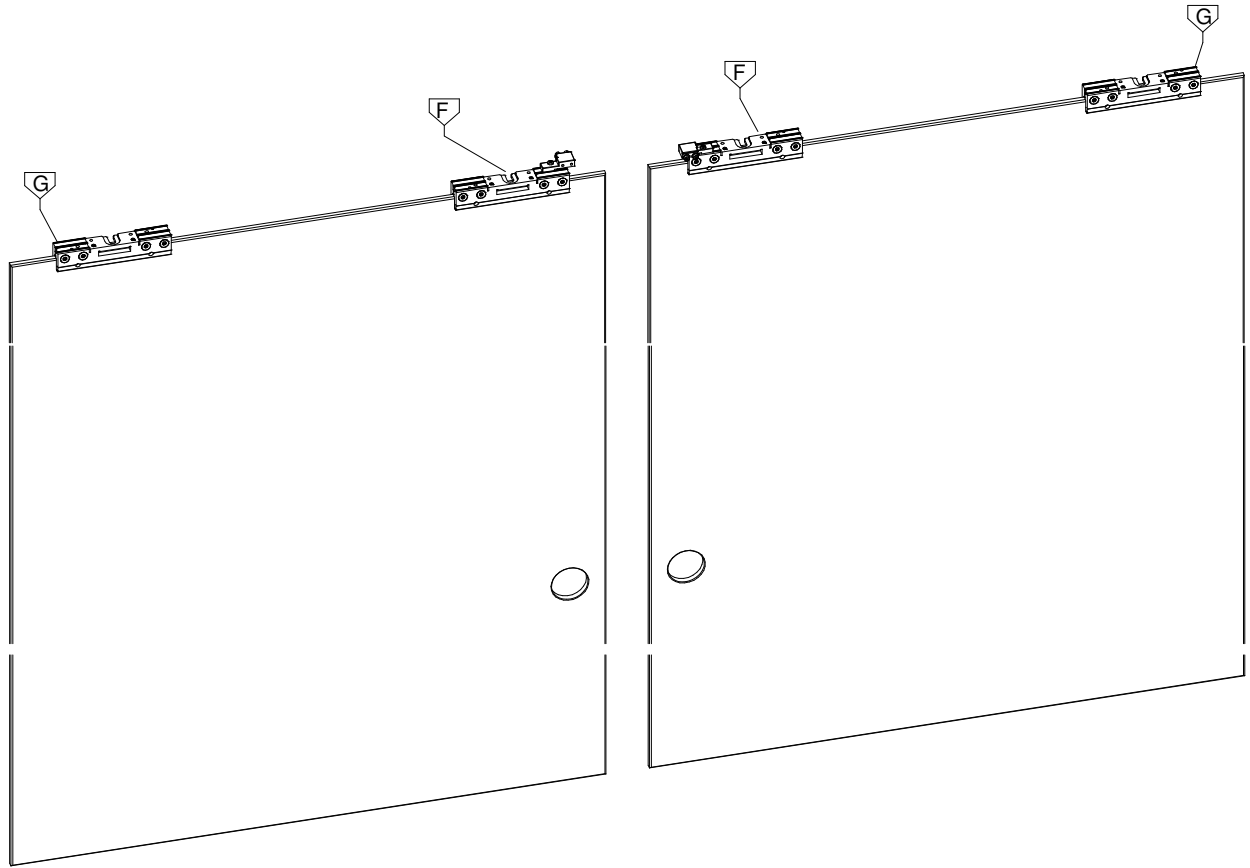


Subject to misprints, errors and technical modifications.
All dimensions are in mm

2.1

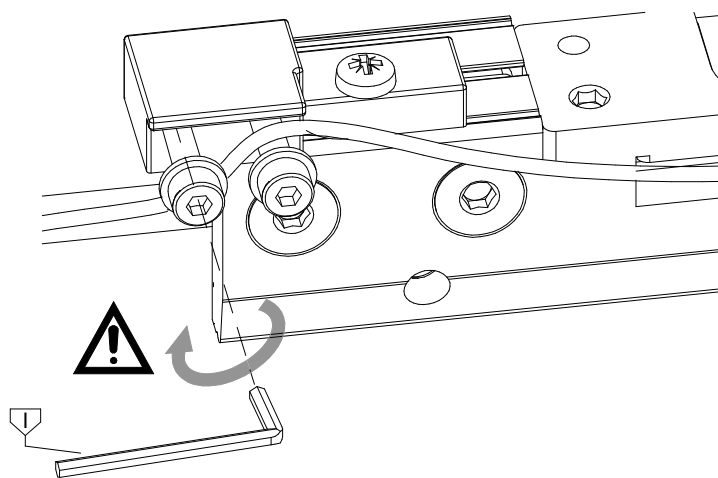
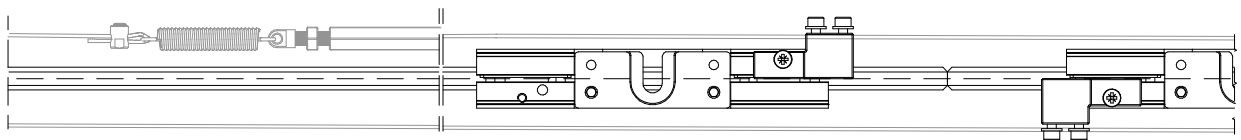
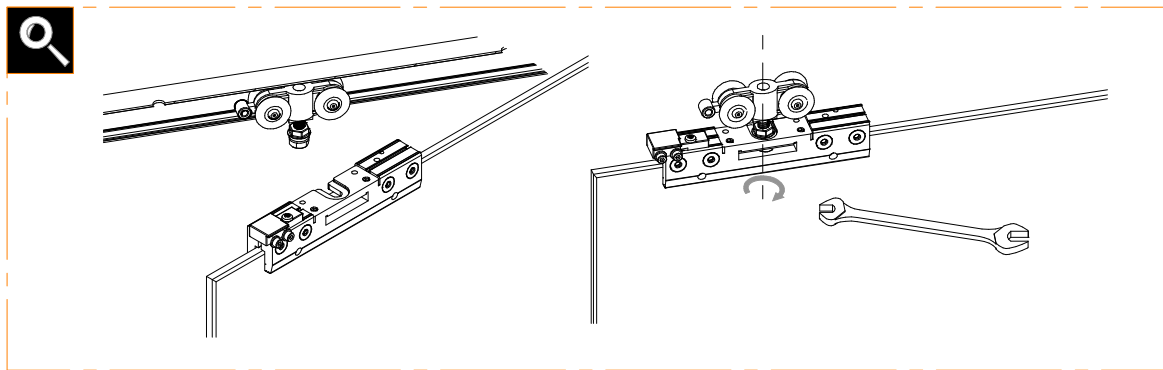
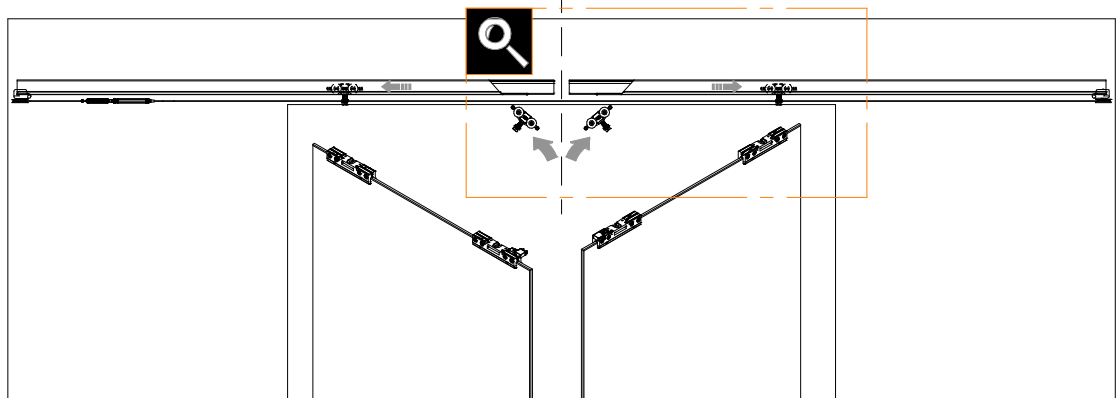


2.2

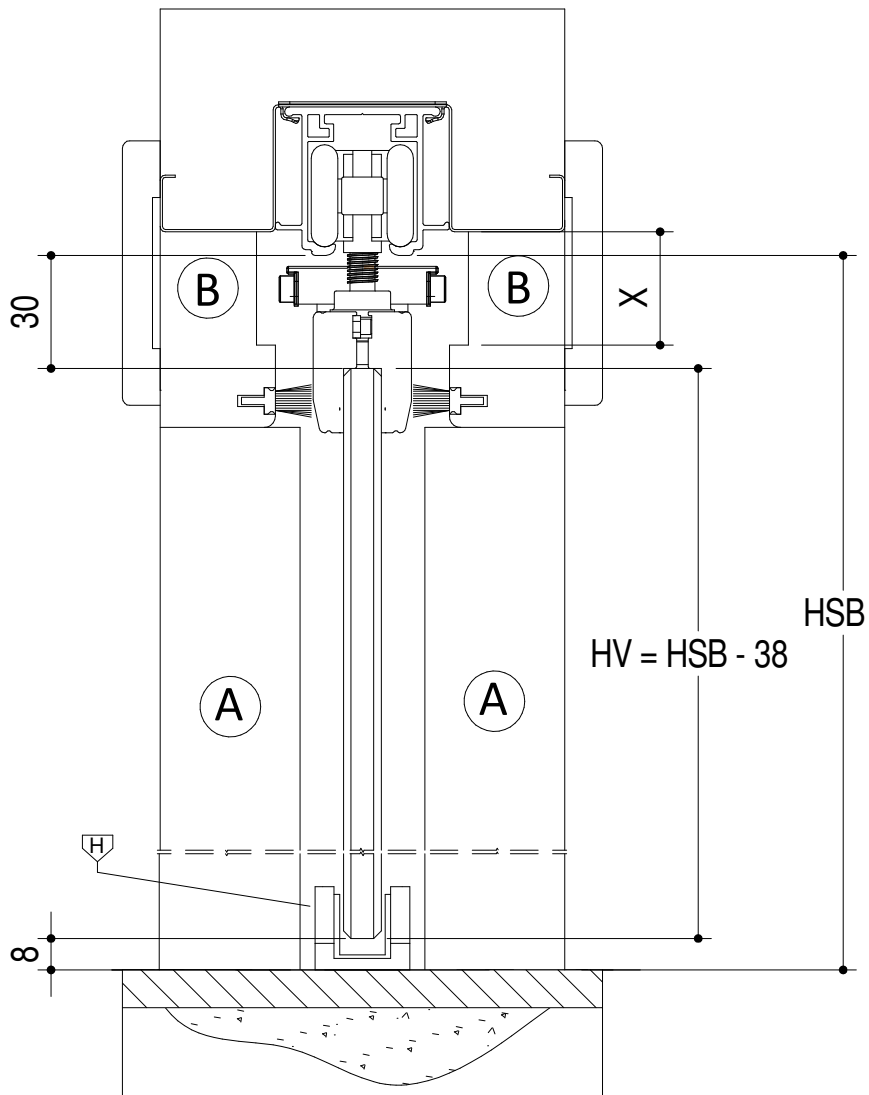
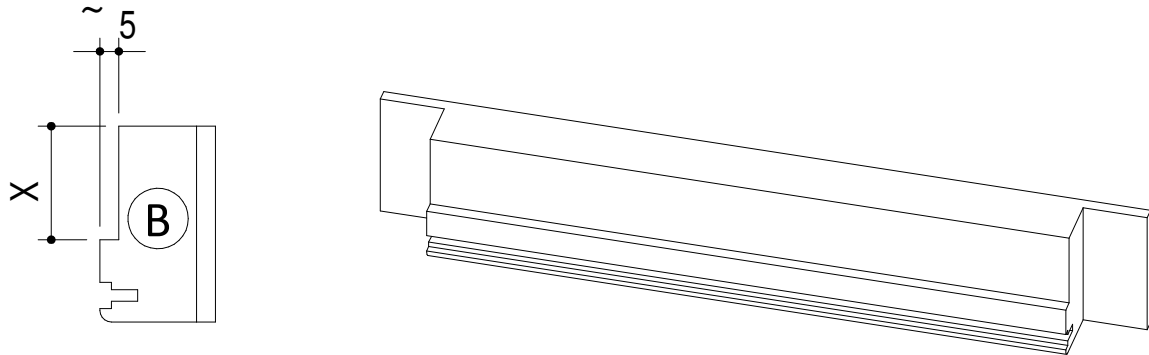


Subject to misprints, errors and technical modifications.
All dimensione are in mm

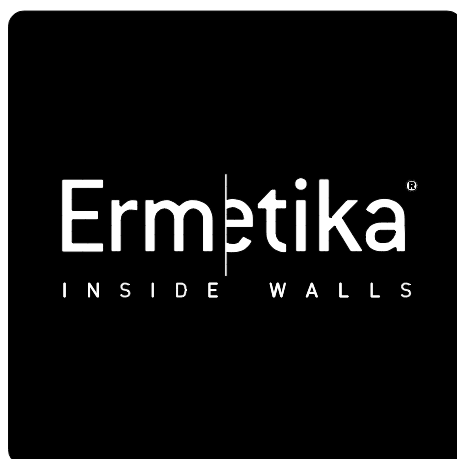
3.1



4.1



Subject to misprints, errors and technical modifications.
All dimensione are in mm



T. +39 (0)883535781



info@ermetika.it



www.ermetika.it



<https://www.youtube.com/c/ermetikasrl>